

dacor

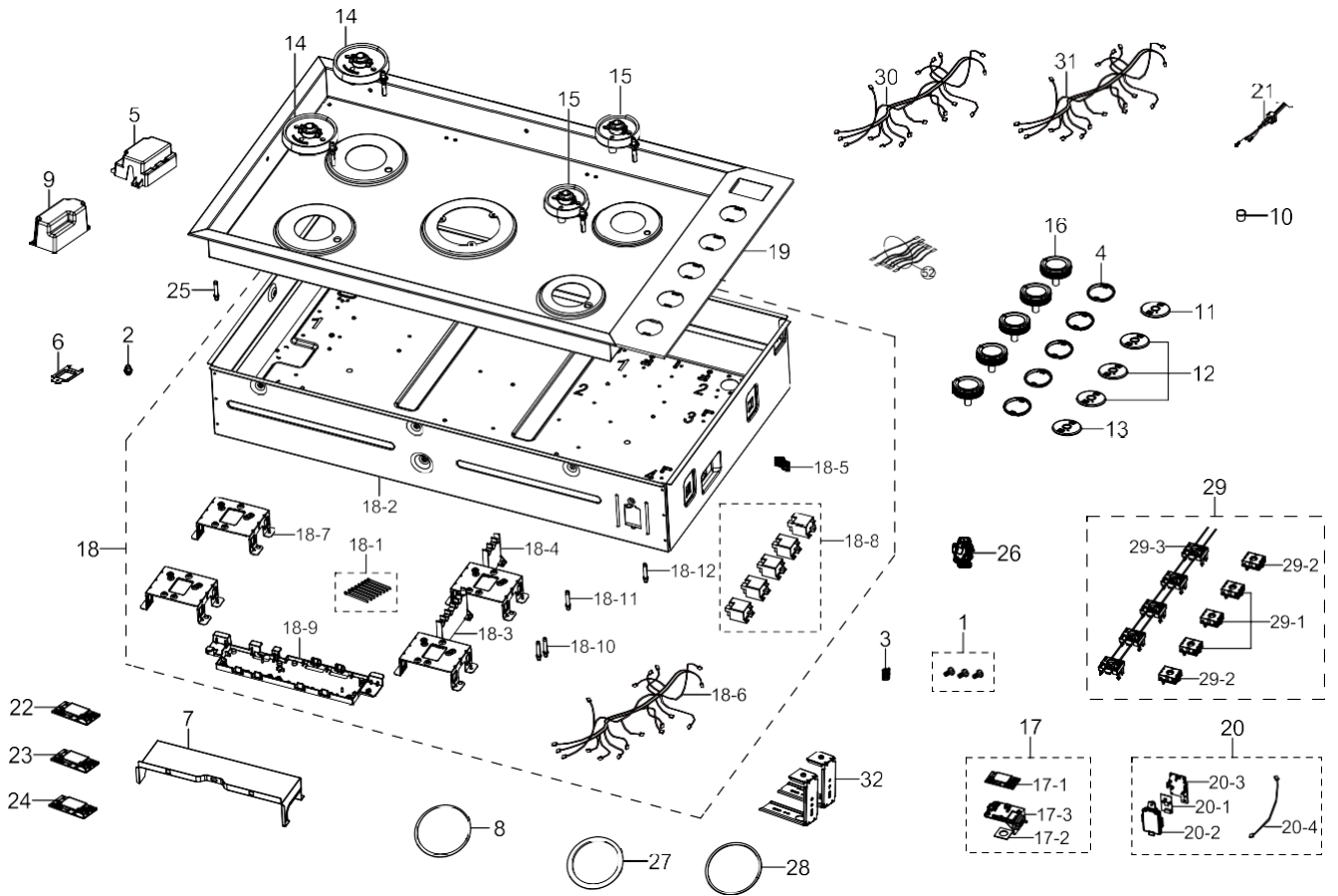
LET THE SHOW BEGIN

DTG36M955FS/M



1. DTG36M955FS/DA

Exploded View



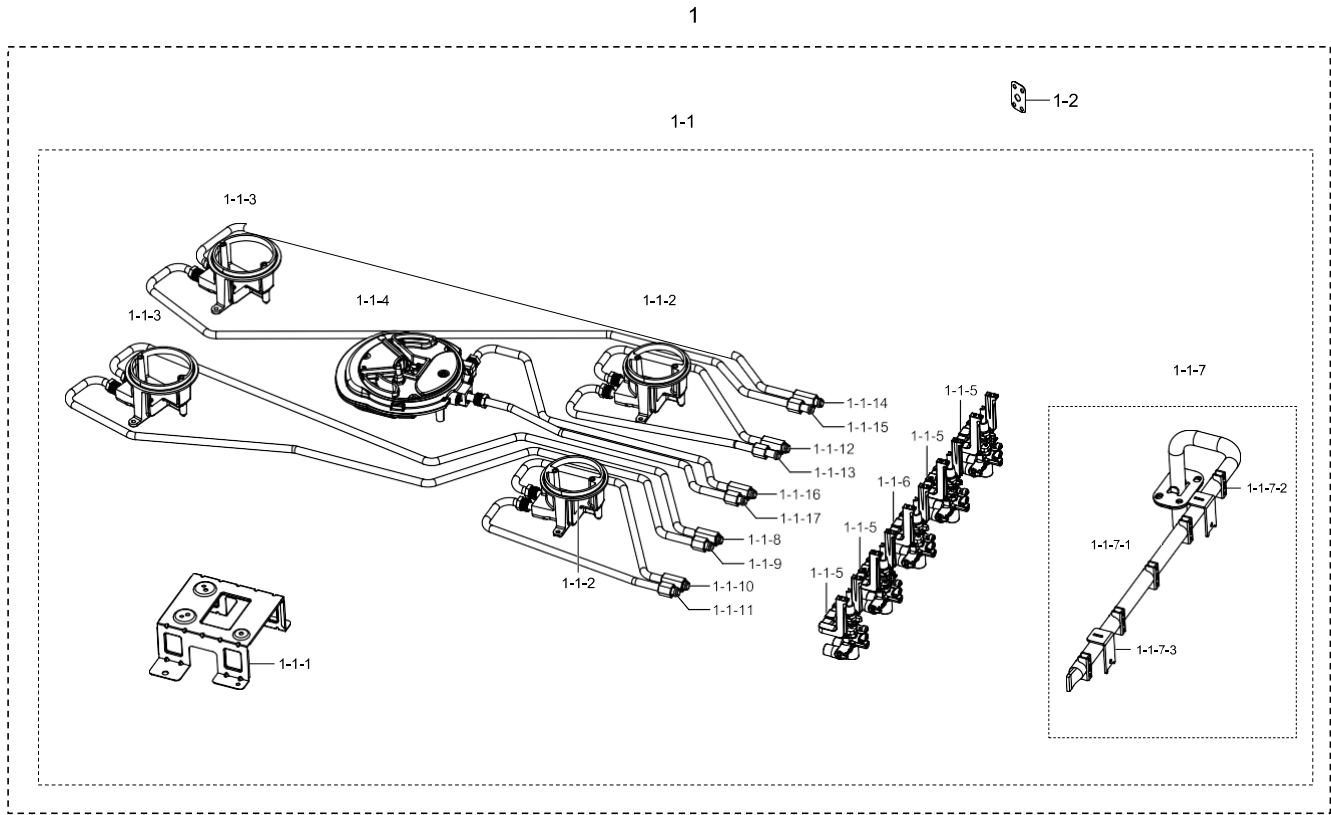
Parts List

No.	Part Number	Description & Specification	SNA
1	111765	SCREW-MACHINE; FWH,+,WP,M4,L10,NI PLT,SWR	SA
2	111821	HOLDER; NX58F5700WS,BRASS,-,HOLDER ELECTR	SA
3		SPRING ETC; NX58F5700WS,STAINLESS-ST301,	SNA
4		HOLDER KNOB; DTG30M954F*,ZNDC,NA9300K_MOD	SNA
5	111827	HOLDER FILTER; DTG30M954F*,DTG36M955F*,PB	SA
6	113314	COVER-POWER CORD; FX710BGS,GI-SGCC,T1,W10	SA
7		COVER PCB; NA30K6550TS,GI-SGCC,T0.6,NA930	SNA
8	112043	GASKET; NA30K7750TS,SI,T1,BLACK,NA9300K,	SA
9		COVER WIRE; DTG30M954F*,PBT+GF15%,V-0,BLA	SNA
10		RUBBER; NA36K7750TS,SILICON RUBBER,GRAY,N	SNA
11	111884	RUBBER; DTG30M954F*/ DTG36M955F*,SILICON	SA
12	111883	RUBBER; DTG30M954F*/ DTG36M955F*,SILICON	SA
13	111885	RUBBER; DTG30M954F*/ DTG36M955F*,SILICON	SA
14	111891	ASSY BURNER HEAD-MID(R); DTG30M954*,DTG36	SA
15	111892	ASSY BURNER HEAD-MID(SR); DTG30M954*,DTG3	SA
16	111939	ASSY KNOB; DTG30M954FS,Silver,PC-ABS+Cr	SA
16	111940	ASSY KNOB; DTG30M954FS,Graphite,PC-ABS+Cr	SA
17		ASSY HOLDER PCB-WIFI; Gas cooktopMOD	SNA

17-1	114229	W-LAN MODULE; SWL-CQ52,17K CT,Dacor,IEEE8	SA
17-2	112526	ASSY MODULE; MINI_KNOBLIGHT,NY9900M, NA93	SA
17-3		HOLDER PCB-WIFI; DTG30M954F*,PBT+GF,BLACK	SNA
18		ASSY CASE BURNER; DTG36M955F*,36 INCH	SNA
18-1	110582	CABLE CLAMP; DALF-94-2,Si,150C TEMP	SA
18-2		CASE BURNER; DTG36M955F*,GI-SGCC,T1,NA930	SNA
18-3		HOLDER TUBE-A; DTG36M955F*,PBT+GF,BLACK,N	SNA
18-4		HOLDER TUBE-B; DTG30M954FS,PBT+GF,BLACK,N	SNA
18-5	111749	COVER WIRE; NW51K7650SS,PP,NATURAL,NW9000	SA
18-6	112028	ASSY WIRE HARNESS-COOKTOP; DTG36M955F,120	SA
18-7		BRACKET BURNER; DTG30M954F*,GI-SGCC,T1,NA	SNA
18-8	112533	ASSY MODULE SPARK; DTG30M954F*,DTG36M955F	SA
18-9		HOLDER PCB-MAIN; NA30K6550TS,PBT+GF,NA930	SNA
18-10	112018	ASSY ELECTRODE-SINGLE; DTG30M954F*,DTG36M	SA
18-11	112553	ASSY ELECTRODE-SINGLE; DTG36M955F*,RED,80	SA
18-12	TBD	ASSY ELECTRODE-SINGLE; DTG30M954F*,DTG36M	SA
19	111944	ASSY FRAME COOK TOP; DTG36M955FS,Silver 3	SA
19	111943	ASSY FRAME COOK TOP; DTG36M955FS,Graphite	SA
20		ASSY HOLDER PCB; DTG30M954*,DTG36M955*	SNA
20-1	111762	BLUETOOTH MODULE; SBT-CY71/CT,IEEE802.15,	SA
20-2	111823	HOLDER PCB-BLUETOOTH; NA30K6550TS,PBT+GF,	SA
20-3	111851	COVER PCB-BLUETOOTH; NA30K6550TS,PBT+GF15	SA
20-4	112027	ASSY WIRE HARNESS-COMM; DTG30M*, DTG36M,1	SA
21	114230	CBF-POWER CORD; AT,USA,US3F-1,Gray,1000,S	SA
22	111771	ASSY MODULE; STD #2 SMPS,A3050,10W (5V 35	SA
23	112037	ASSY MODULE; ASSY NOISE FILTER,MODERN,KS_	SA
24	111794	ASSY PCB EEPROM; EEP_02,DE92-04036C,NA930	SA
25	111982	ASSY ELECTRODE-DUAL; NA36K7750TS,Dual, L5	SA
26	111908	ASSY VALVE-REGULATOR; NA36K7750TS,AL,5"	SA
27	112044	GASKET; DTG36M955F*,DTG30M954F*,GLASS FIB	SA
28	112045	GASKET; DTG36M955F*,DTG30M954F*,GLASS FIB	SA
29	112022	ASSY SWITCH IGNITION; DTG36M955F*,36"	SA
29-1	112526	ASSY MODULE; MINI_KNOBLIGHT,NY9900M, NA93	SA
29-2	111783	ASSY MODULE; GAS C/TOP_KNOBLIGHT & SWITCH	SA
29-3	112020	ASSY SWITCH IGNITION-SUB; DTG36M955F*,36"	SA
30	112024	ASSY WIRE HARNESS-MAIN; DTG36M955F,120VAC	SA
31	112026	ASSY WIRE HARNESS-DC SIGNAL; DTG36M955F,1	SA
32	111822	BRACKET GUIDE; GI-SGCC,T1.2,NZ9300K	SA
52	703612	Igniter Wires Kit	SA

2. Assy Cook Top

Exploded View



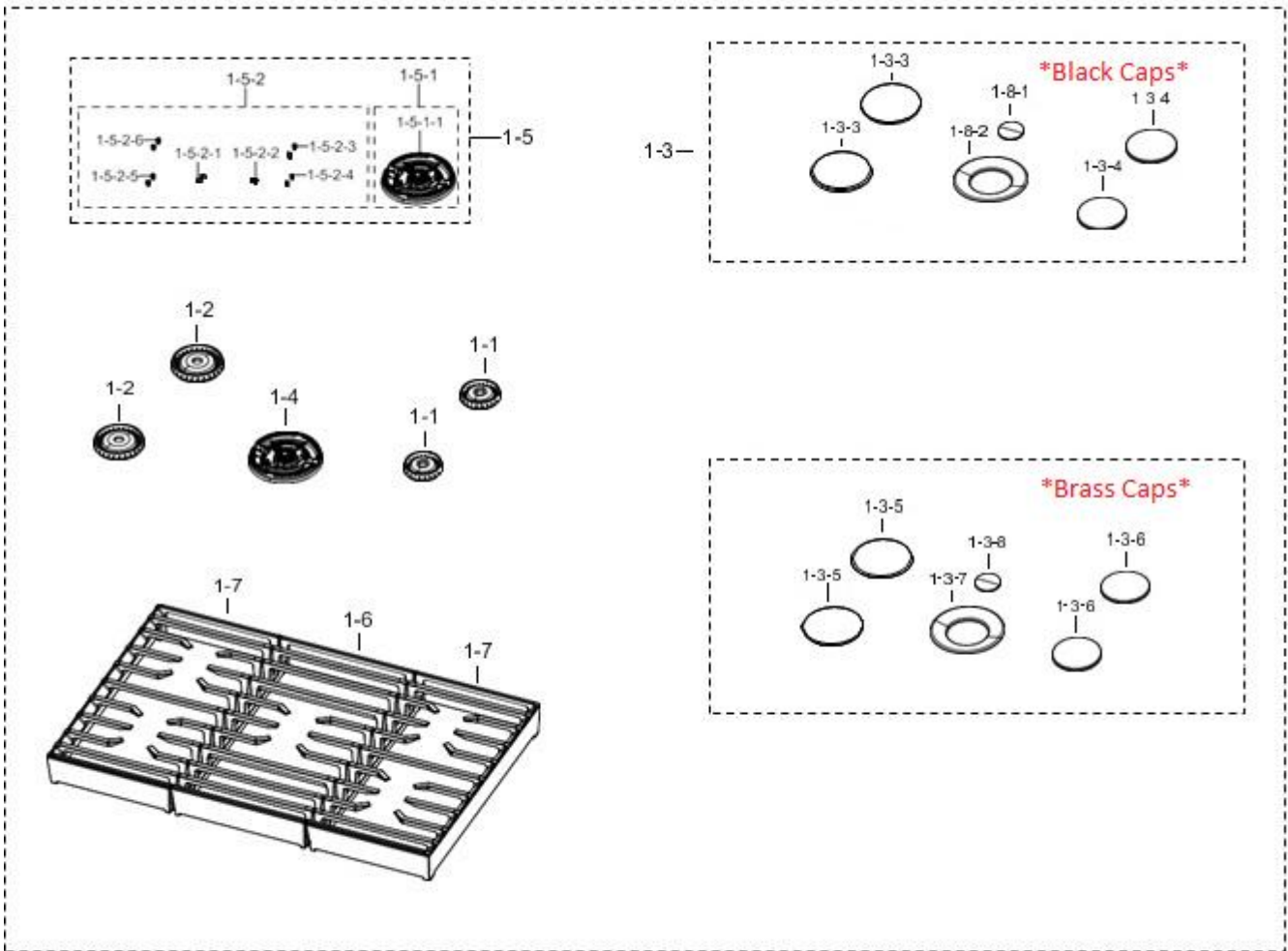
Parts List

No.	Part Number	Description & Specification	SNA
1		ASSY COOKTOP; DTG36M955F*,36INCH	SNA
1-1		ASSY VALVE MANIFOLD; DTG36M955F*,36"	SNA
1-1-1		BRACKET BURNER-DUAL; DTG30M954F*,GI-SGCC,	SNA
1-1-2	111842	BURNER CUP-SINGLE; DTG30M954*,DTG36M955*,	SA
1-1-3	111843	BURNER CUP-SINGLE; DTG30M954*,DTG36M955*,	SA
1-1-4	111844	BURNER CUP-DOUBLE; DTG30M954*,DTG36M955*,	SA
1-1-5	111945	ASSY VALVE DUAL; DTG30M954*,DTG36M955*,SE	SA
1-1-6	111946	ASSY VALVE DUAL; DTG30M954*,DTG36M955*,DU	SA
1-1-7		ASSY VALVE MANIFOLD; DTG36M955F*,36"	SNA
1-1-7-1		BRACKET PIPE; NA30K6550TS,CR-SPCC,T2,NA93	SNA
1-1-7-2		BRACKET GUIDE; NA30K6550TS,CR-SPCC,T1.6,N	SNA
1-1-7-3		BRACKET SUPPORTER; DTG30M954F*,CR-SPCC,T2	SNA
1-1-8	111955	ASSY TUBE; DTG36M955F*,7.94,RAPID LF MAIN	SA
1-1-9	111956	ASSY TUBE; DTG36M955F*,7.94,RAPID LF SUB	SA
1-1-10	111957	ASSY TUBE-RIGHT FRONT; DTG36M955F*,7.94,S	SA
1-1-11	111958	ASSY TUBE-RIGHT FRONT; DTG36M955F*,7.94,S	SA
1-1-12	111959	ASSY TUBE-RIGHT REAR; DTG36M955F*,7.94,SE	SA
1-1-13	111960	ASSY TUBE-RIGHT REAR; DTG36M955F*,7.94,SE	SA
1-1-14	111961	ASSY TUBE-LEFT REAR; DTG36M955F*,7.94,RAP	SA
1-1-15	111962	ASSY TUBE-LEFT REAR; DTG36M955F*,7.94,RAP	SA
1-1-16	111963	ASSY TUBE; DTG36M955F*,7.94,DUAL CENTER M	SA
1-1-17	111964	ASSY TUBE; DTG36M955F*,7.94,DUAL CENTER S	SA
1-2	114232	GASKET; NA36K7750TS,SI,NATURAL,NA9300K, M	SA

3. Assy Accessory

Exploded View

1



Parts List

No.	Part Number	Description & Specification	SNA
1		ASSY ACCESSORY PARTS; NA9300KMOD,Gas	SNA
1-1	111838	BURNER HEAD-SINGLE; BRASS,SEMI RAPID	SA
1-2	111839	BURNER HEAD-SINGLE; BRASS,RAPID	SA
1-3	112036	ASSY PACKING-BURNER CAP BLACK; DTG36M955F*,263x	SA
1-3-3	111836	BURNER CAP-SINGLE; CR-SPP,RAPID stack	SA
1-3-4	111837	BURNER CAP-SINGLE; CR-SPP,SEMI-RAPID	SA
1-3-5	111831	BURNER CAP-SINGLE; BRASS,RAPID	SA
1-3-6	111832	BURNER CAP-SINGLE; BRASS,SEMI RAPID	SA
1-3-7	111833	BURNER CAP-DOUBLE; BRASS,DUAL	SA
1-3-8	110431-01	BURNER CAP-DOUBLE; BRASS,SIMMER INNER RIN	SNA
1-4	111841	BURNER HEAD-DOUBLE; BRASS,DUAL Natrual GA	SA
1-5	TBD	ASSY PACKING CASE ASSESSORY; DTG36M955F*,	SA
1-5-1		ASSY PACKING ACCESSORY; DTG36M955F*,DTG30	SNA
1-5-1-1	111840	BURNER HEAD-DOUBLE; BRASS,DUAL LPG	SA
1-5-2	112015	ASSY NOZZLE KIT; DTG36M955F*,36INCH	SA
1-5-2-1		NOZZLE DUAL; NX58F5700WS,BRASS,C3661BD, L	SNA
1-5-2-2		NOZZLE DUAL; NX58F5700WS,BRASS,C3661BD, L	SNA
1-5-2-3	111845	NOZZLE-SEMI RAPID LP; NA9300K_MOD,BRASS,S	SA
1-5-2-4	111846	NOZZLE-SEMI RAPID LP; NA9300K_MOD,BRASS,S	SA
1-5-2-5	111847	NOZZLE-RAPID LP; NA9300K_MOD,BRASS,RAPID	SA
1-5-2-6	111848	NOZZLE-RAPID LP; NA9300K_MOD,BRASS,RAPID	SA
1-6	112033	ASSY PACKING GRATE-CENTER; DTG36M955F*,36	SA
1-7	112034	ASSY PACKING GRATE-SIDE; DTG36M955F*,36" I	SA
1-8-1	110431-02	BURNER CAP AUX; NX58H9500WS,CR-SPP,Dia.50	SA
1-8-2	111835	BURNER CAP-DOUBLE; CR-SPP,DUAL 6KW	SA